

Pine

Basin Mixer with pop up waste

Article no.: 178220000
Finish: Chrome
Series: Pine

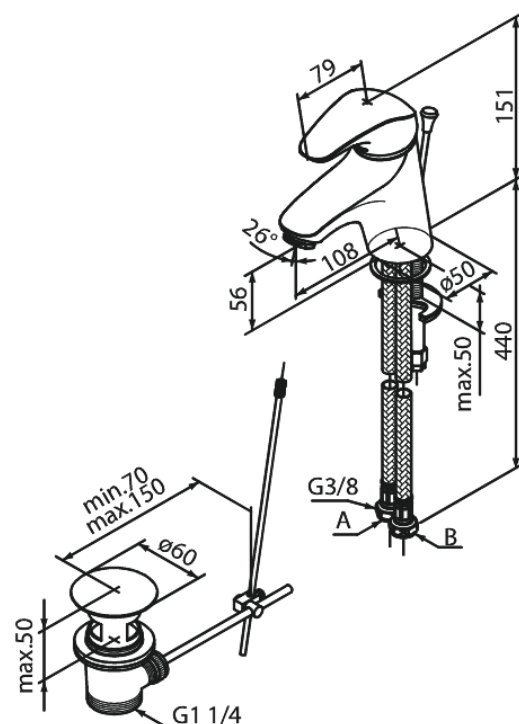
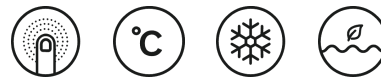
EAN no.: 5708516836704



Standard features:

- 1 handle
- Ceramic cartridge
- Cold-start
- Rub-Clean
- Scalding protection (38°C)
- Water consumption max.6 l/min
- Eco-Save water saving feature
- 6l/min aerator
- Pop up waste

Product features



FM Mattsson Denmark ApS
Hvidkærvej 48, 5250 Odense SV, DK-56416218

+45 88 33 00 34 damixa-international@fmmattsongroup.com

Mere information på damixa.com

damixa