

Space

Kitchen Mixer

Article no.: 1012000
Finish: Chrome
Series: Space

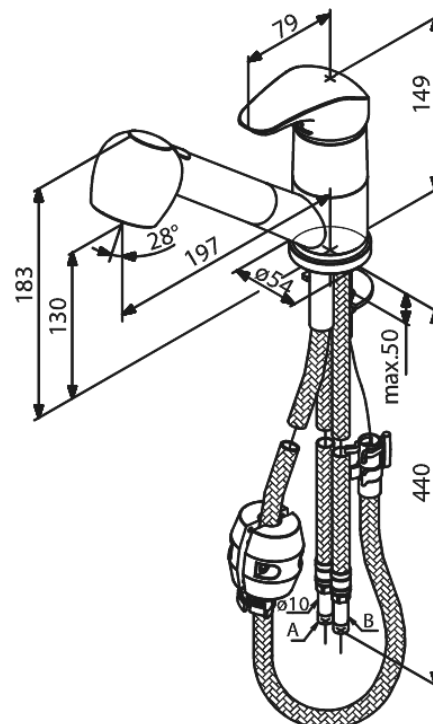
EAN no.: 5708516615187



Standard features:

- 1 handle
- 120° swivel limitation
- Ceramic cartridge
- Scalding protection (38°C)
- Water consumption max.9 l/min
- Eco-Save water saving feature
- Dual function spray head

Product features



FM Mattsson Mora Group Denmark
Hvidkærvej 48, 5250 Odense SV, DK-56416218

+45 88 33 00 34 damixa-international@fmm-mora.com

Mere information på damixa.com

damixa