

Shower Systems

Bell

Article no.: 579600000
Finish: Chrome
Series: Shower Systems

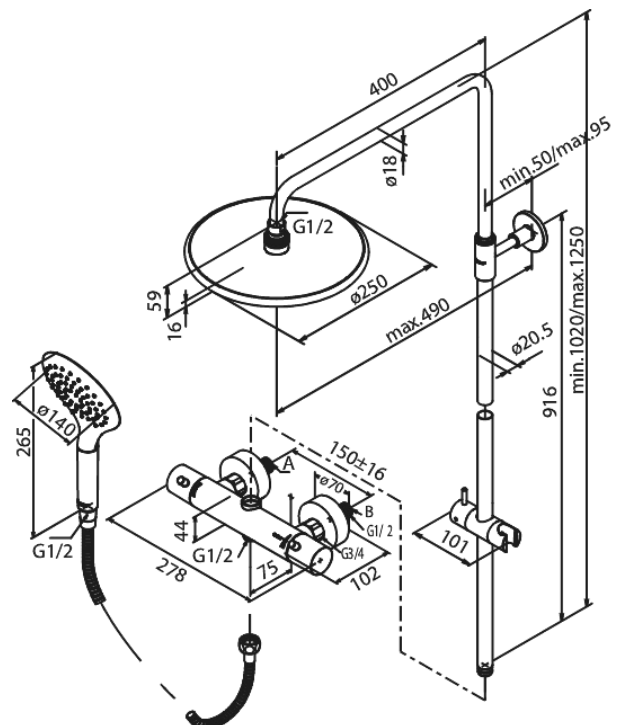
EAN no.: 5708516821830



Standard features:

Ceramic cartridge
Scalding protection (38°C)
Head Shower max. 9 l/m / Hand Shower max. 8 l/m
1750 mm metal hose
Integrated diverter
Standard 150mm centres
Eco-Click water saving feature
With 3/4" wall plates & eccentric unions
3 spray modes

Product features



FM Mattsson Denmark ApS
Hvidkærvej 48, 5250 Odense SV, DK-56416218

+45 88 33 00 34 damixa-international@fmm-mora.com

Mere information på damixa.com

damixa