

Bathroom Accessories

Twin Towel Rail 800 mm

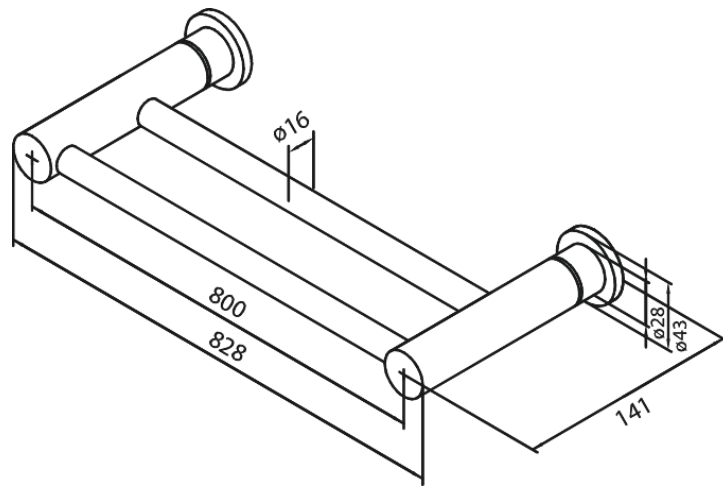
Article no.: 483158700
Finish: Brushed Copper PVD
Series: Bathroom Accessories

EAN no.: 5708516831839



Standard features:

Can be shortened



FM Mattsson Denmark ApS
Hvidkærvej 48, 5250 Odense SV, DK-56416218

+45 88 33 00 34 danmark@fmmattssongroup.com

Mere information på damixa.com

damixa