

Space

Fair Jet Flex

Article no.: 7667500
Finish: Chrome
Series: Space

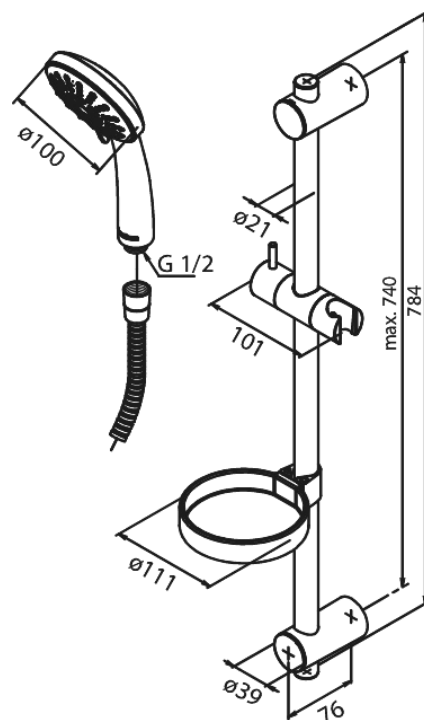
EAN no.: 5708516804130



Standard features:

Rub-Clean
Water consumption max.9 l/min
Eco-Save water saving feature
Incl. Soap dish & Glider
3 spray modes
Adjustable wall brackets

Product features



FM Mattsson Mora Group Denmark
Hvidkærvej 48, 5250 Odense SV, DK-56416218

+45 88 33 00 34 damixa-international@fmm-mora.com

Mere information på damixa.com

damixa