

Slate

# Overhead Shower

**Article no.:** 766667400  
**Finish:** Chrome/Black  
**Series:** Slate

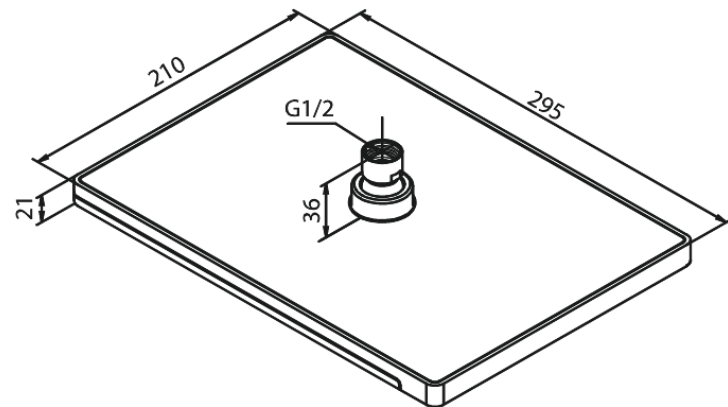
**EAN no.:** 5708516811626



## Standard features:

Water consumption max. 12 l/min  
295x210mm

## Product features



FM Mattsson Denmark ApS  
Hvidkærvej 48, 5250 Odense SV, DK-56416218

+45 88 33 00 34 [damixa-international@fmmattsongroup.com](mailto:damixa-international@fmmattsongroup.com)

Mere information på [damixa.com](http://damixa.com)

**damixa**