

Osier

Hilina

Article no.: 765690000
Finish: Chrome
Series: Osier

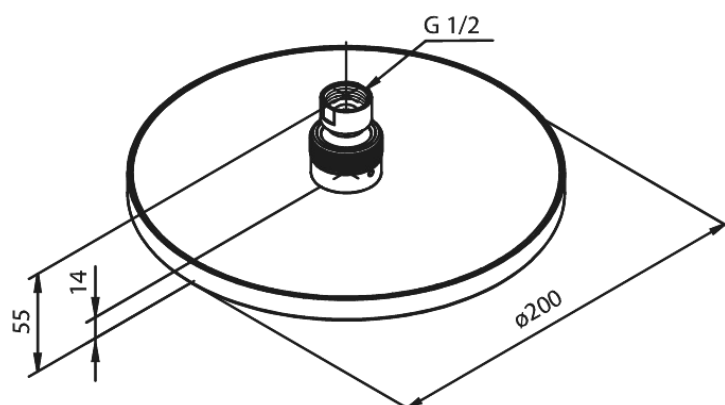
EAN no.: 5708516807919



Standard features:

Water consumption max. 16 l/min
Ø200mm

Product features



FM Mattsson Denmark ApS
Hvidkærvej 48, 5250 Odense SV, DK-56416218

+45 88 33 00 34 damixa-international@fmmattsongroup.com

Mere information på damixa.com

damixa