

Space

# Fair Jet Flex Extended

**Article no.:** 7652000  
**Finish:** Chrome  
**Series:** Space

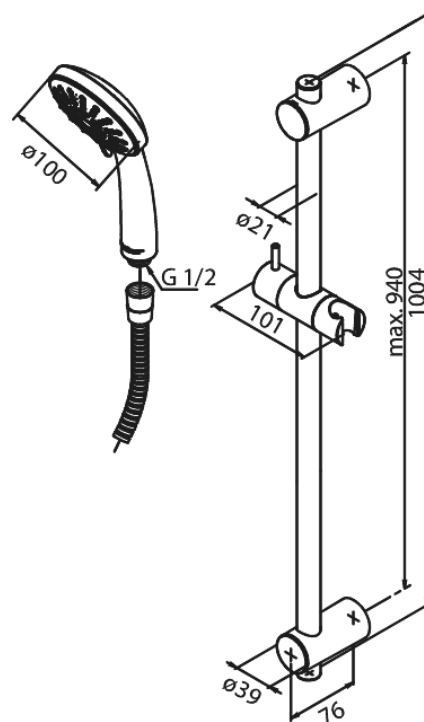
**EAN no.:** 5708516808039



## Standard features:

Water consumption max.9 l/min  
1750 mm plastic hose

## Product features



FM Mattsson Mora Group Denmark  
Hvidkærvej 48, 5250 Odense SV, DK-56416218

+45 88 33 00 34 damixa-international@fmm-mora.com

Mere information på [damixa.com](http://damixa.com)

**damixa**