

A-Pex

Shower System

Article no.: 736000000
Finish: Chrome
Series: A-Pex

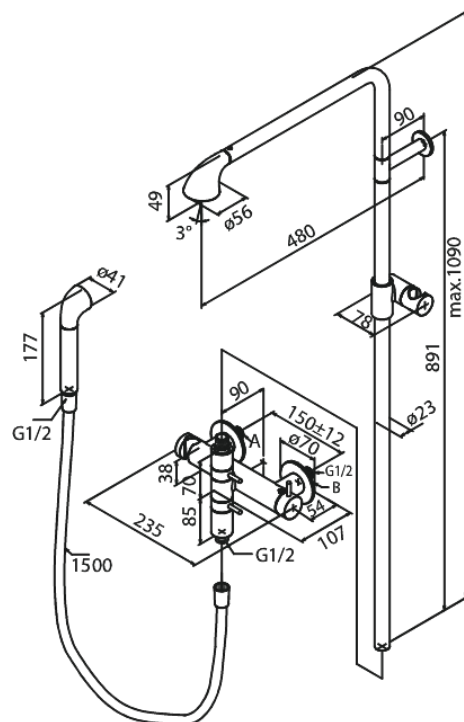
EAN no.: 5708516816867



Standard features:

Scalding protection (38°C)
Head Shower max.12 l/m / Hand Shower max.9 l/m
1500 mm plastic hose
Integrated diverter
Standard 150mm centres
1/2" connection for hand shower hose
Shower pipe can be shortened
Ceramic head part

Product features



FM Mattsson Denmark ApS
Hvidkærvej 48, 5250 Odense SV, DK-56416218

+45 88 33 00 34 damixa-international@fmmattssongroup.com

Mere information på damixa.com

damixa