

Pine

# Basin Mixer with sidespray

**Article no.:** 170300000  
**Finish:** Chrome  
**Series:** Pine

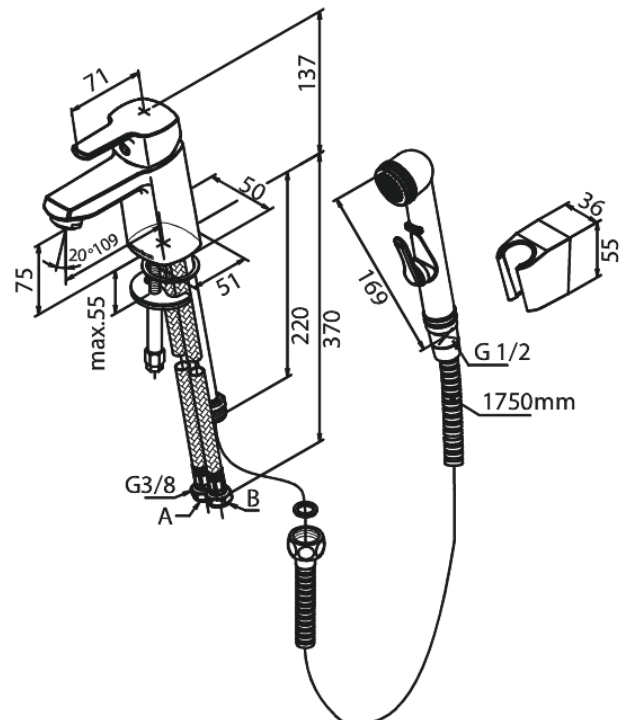
**EAN no.:** 5708516814641



## Standard features:

- 1 handle
- Ceramic cartridge
- Cold-start
- Rub-Clean
- Scalding protection
- Eco-Save water saving feature
- 6l/min aerator
- Sidespray

## Product features



FM Mattsson Denmark ApS  
Hvidkærvej 48, 5250 Odense SV, DK-56416218

+45 88 33 00 34 [danmark@fmmattssongroup.com](mailto:danmark@fmmattssongroup.com)

Mere information på [damixa.com](http://damixa.com)

**damixa**