

Iris

XR 2

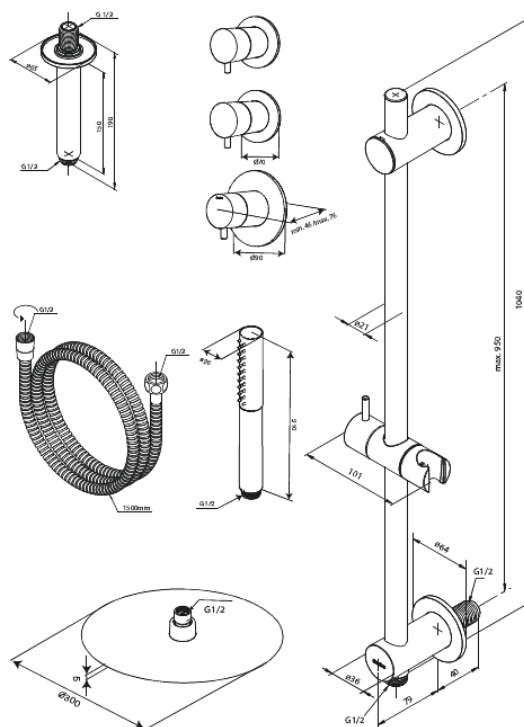
Article no.: 570705500
Finish: Graphite Grey
Series: Iris

EAN no.: 5708516851493



Standard features:

- Cover plate and handle in metal
- 1500 mm shower hose
- Head shower 30 cm
- Hand shower with 3 spray modes
- Shower arm ceiling mounted 15 cm
- Shower rail with integrated outlet and holder
- Flexible fastening in top of the rail
- Head shower 8 l/m / Hand shower 6 l/m



FM Mattsson Denmark ApS
Hvidkærvej 48, 5250 Odense SV, DK-56416218

+45 88 33 00 34 danmark@fmmattssongroup.com

Mere information på damixa.com

damixa