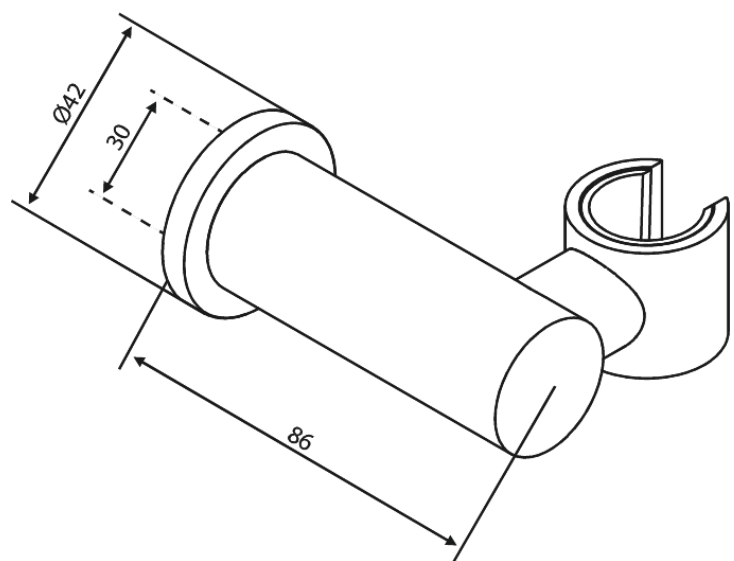


Hand Shower Holder Flex

Article no.: 487545500
Finish: Graphite Grey
Series:

EAN no.: 5708516850540



FM Mattsson Denmark ApS
Hvidkærvej 48, 5250 Odense SV, DK-56416218

+45 88 33 00 34 danmark@fmmattssongroup.com

Mere information på damixa.com

damixa