

Slate

# Basin Mixer

Article no.: 656200000  
Finish: Chrome  
Series: Slate

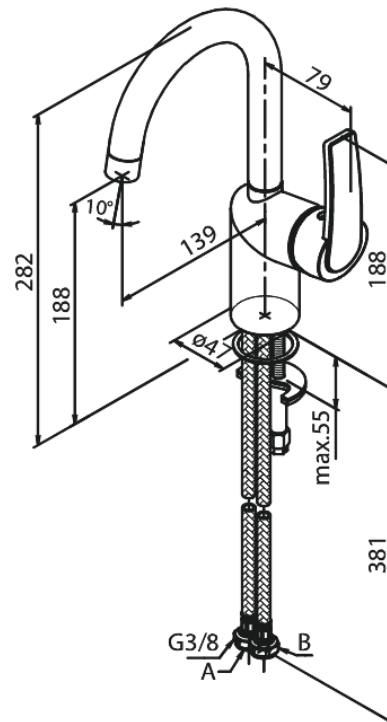
EAN no.: 5708516829553



## Standard features:

120° swivel limitation  
Ceramic cartridge  
Water consumption max.6 l/min

## Product features



FM Mattsson Denmark ApS  
Hvidkærvej 48, 5250 Odense SV, DK-56416218

+45 88 33 00 34 danmark@fmmattssongroup.com

Mere information på [damixa.com](http://damixa.com)

**damixa**