

Rowan

# Kitchen Mixer for wall mounting

**Article no.:** 673580000  
**Finish:** Chrome  
**Series:** Rowan

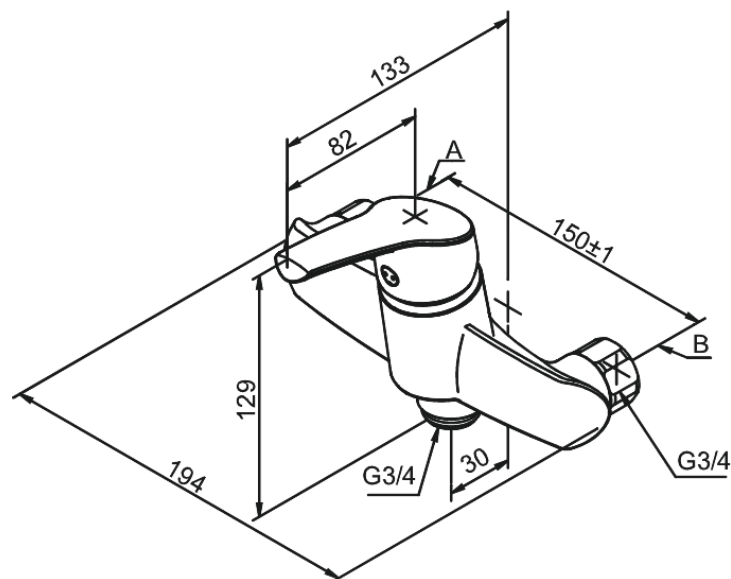
**EAN no.:** 5708516804468



## Standard features:

- 1 handle
- Ceramic cartridge
- Scalding protection
- Water consumption max. 13 l
- Eco-Save water saving feature
- Spouts to be ordered separately
- 3/4" water inlet
- Standard 150mm centres

## Product features



FM Mattsson Denmark ApS  
Hvidkærvej 48, 5250 Odense SV, DK-56416218

+45 88 33 00 34 danmark@fmmattssongroup.com

Mere information på [damixa.com](http://damixa.com)

**damixa**