

Arc

Bath Shower Mixer

Article no.: 291000000
Finish: Chrome
Series: Arc

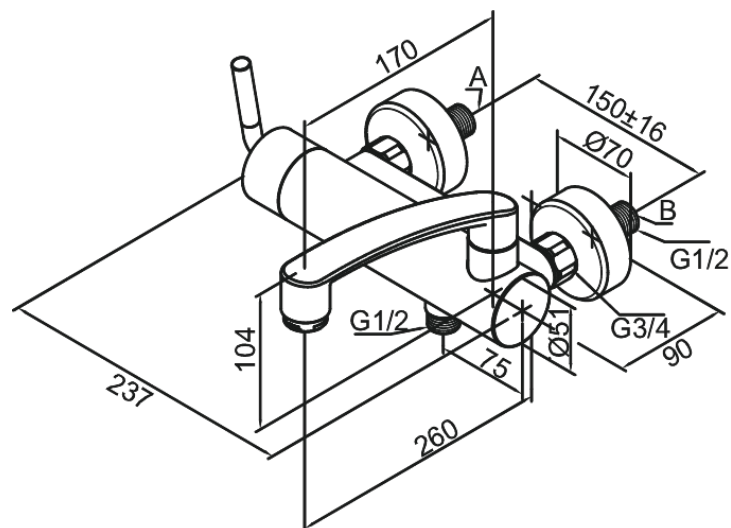
EAN no.: 5708516726814



Standard features:

- Ceramic cartridge
- Scalding protection
- Water consumption max.30 l/min
- Standard 150mm centres
- Eco-Click water saving feature
- With 3/4" wall plates & eccentric unions
- Hydro-ceramic cartridge
- Diverts automatically when spout is folded away
- 1/2" connection for hand shower hose

Product features



FM Mattsson Denmark ApS
Hvidkærvej 48, 5250 Odense SV, DK-56416218

+45 88 33 00 34 danmark@fmmattssongroup.com

Mere information på damixa.com

damixa