

Space

Bath Shower Mixer

Article no.: 101000000
Finish: Chrome
Series: Space

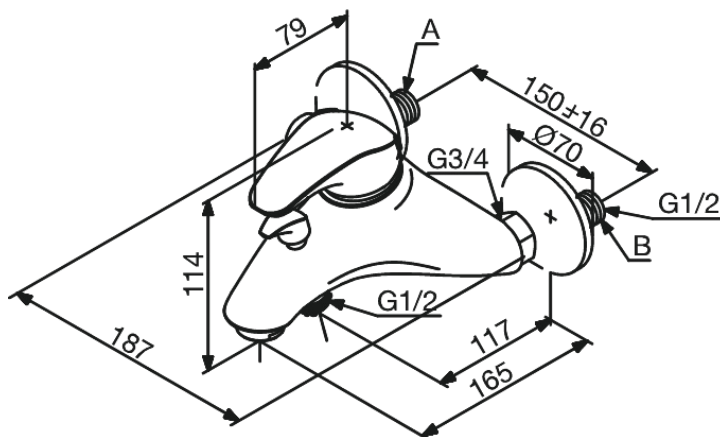
EAN no.: 5708516615170



Standard features:

Ceramic cartridge
Scalding protection
Water consumption max. 21/18 l/min
Eco-Save water saving feature
Standard 150mm centres
With 3/4" wall plates & eccentric unions
With diverter
1/2" connection for hand shower hose

Product features



FM Mattsson Denmark ApS
Hvidkærvej 48, 5250 Odense SV, DK-56416218

+45 88 33 00 34 danmark@fmmattssongroup.com

Mere information på damixa.com

damixa