

Space

# Basin Mixer

**Article no.:** 100210000  
**Finish:** Chrome  
**Series:** Space

**EAN no.:** 5708516615149



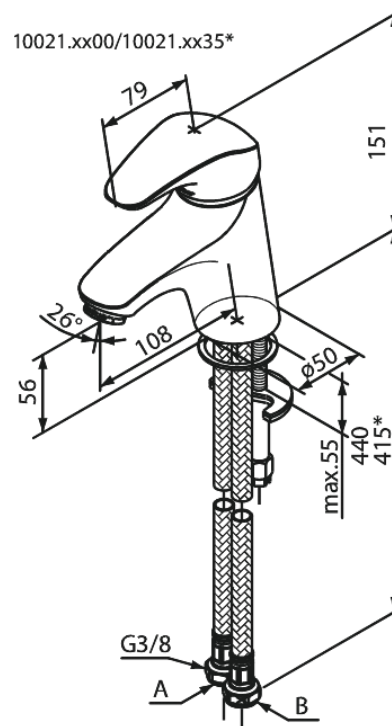
## Standard features:

- 1 handle
- Ceramic cartridge
- Scalding protection (38°C)
- Water consumption max. 12 l/min
- Eco-Save water saving feature

## Product features



10021.xx00/10021.xx35\*



FM Mattsson Denmark ApS  
Hvidkærvej 48, 5250 Odense SV, DK-56416218

+45 88 33 00 34 damixa-international@fmmattsongroup.com

Mere information på [damixa.com](http://damixa.com)

**damixa**