

Slate

# Thermixa 300 Thermostatic Shower Mixer

**Article no.:** 574037400  
**Finish:** Chrome/Black  
**Series:** Slate

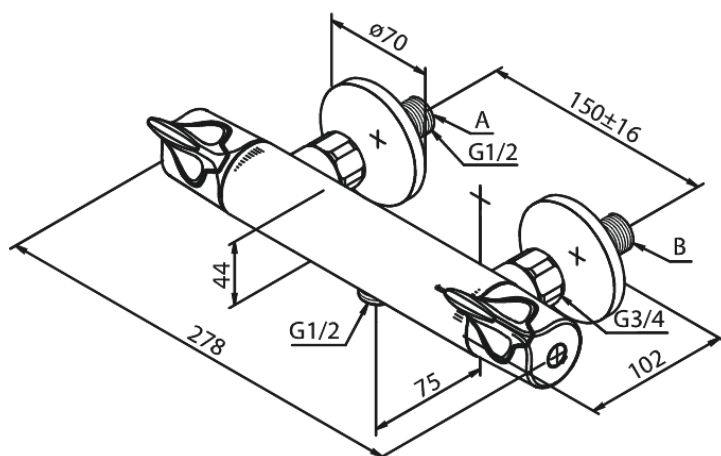
**EAN no.:** 5708516740155



## Standard features:

- Ceramic cartridge
- Scalding protection (38°C)
- Standard 150mm centres
- Eco-Click water saving feature
- With 3/4" wall plates & eccentric unions
- 1/2" connection for hand shower hose

## Product features



FM Mattsson Denmark ApS  
Hvidkærvej 48, 5250 Odense SV, DK-56416218

+45 88 33 00 34 [damixa-international@fmmattssongroup.com](mailto:damixa-international@fmmattssongroup.com)

Mere information på [damixa.com](http://damixa.com)

**damixa**