

Slate

Thermixa 200 Thermostatic Shower Mixer

Article no.: 574027400
Finish: Chrome/Black
Series: Slate

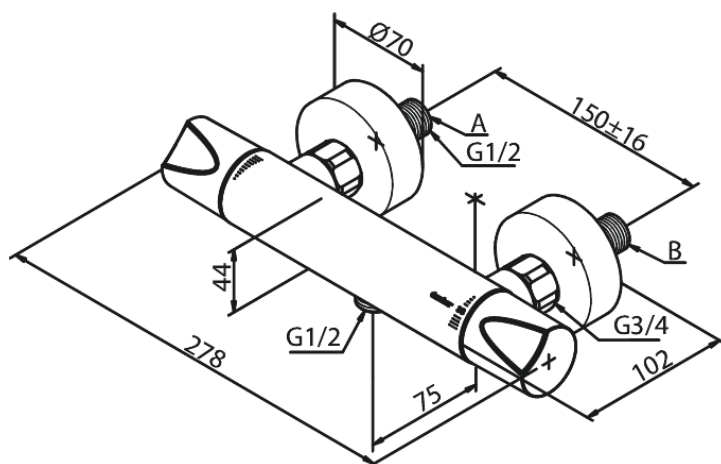
EAN no.: 5708516735199



Standard features:

- Ceramic cartridge
- Scalding protection (38°C)
- Water consumption max. 16 l/min
- Standard 150mm centres
- Eco-Click water saving feature
- With 3/4" wall plates & eccentric unions
- 1/2" connection for hand shower hose

Product features



FM Mattsson Denmark ApS
Hvidkærvej 48, 5250 Odense SV, DK-56416218

+45 88 33 00 34 damixa-international@fmmattsongroup.com

Mere information på damixa.com

damixa