

Core

Hand shower set

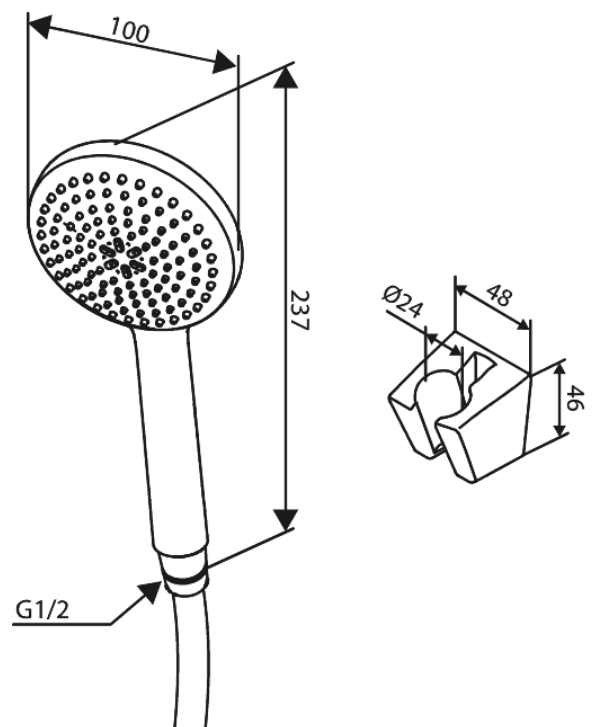
Article no.: 593336100
Finish: Matt black
Series: Core

EAN no.: 5708516838531

Standard features:

Water consumption max.6 l/min

Product features



FM Mattsson Denmark ApS
Hvidkærvej 48, 5250 Odense SV, DK-56416218

+45 88 33 00 34 danmark@fmmattssongroup.com

Mere information på damixa.com

damixa