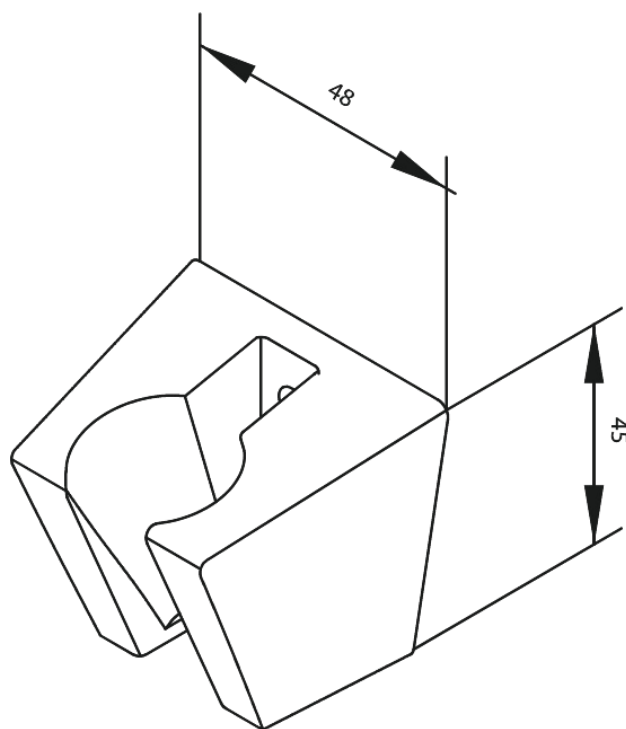


Shower Accessories

Fixed Wall Bracket for hand shower

Article no.: 766105500
Finish: Graphite Grey PVD
Series: Shower Accessories

EAN no.: 5708516837619



FM Mattsson Denmark ApS
Hvidkærvej 48, 5250 Odense SV, DK-56416218

+45 88 33 00 34 danmark@fmmattssongroup.com

Mere information på damixa.com

damixa