

# Silhouet Flex

**Article no.:** 766885500  
**Finish:** Graphite Grey PVD  
**Series:** Silhouet

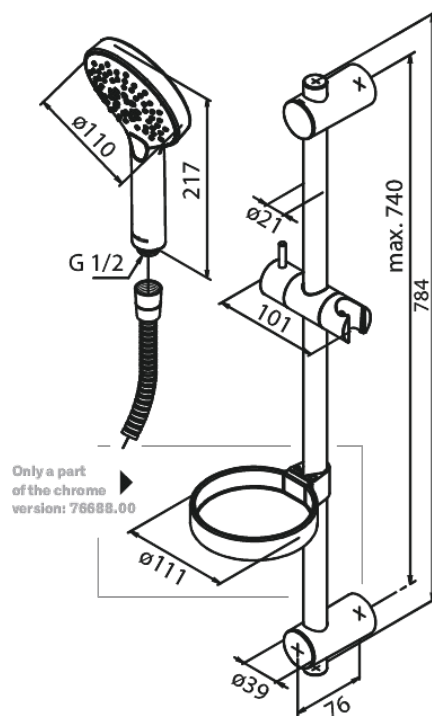
**EAN no.:** 5708516837589



## Standard features:

Water consumption max.9 l/min  
3 spray modes  
Adjustable wall brackets  
1500 mm shower hose

## Product features



FM Mattsson Denmark ApS  
Hvidkærvej 48, 5250 Odense SV, DK-56416218

+45 88 33 00 34 danmark@fmmattssongroup.com

Mere information på [damixa.com](http://damixa.com)

**damixa**