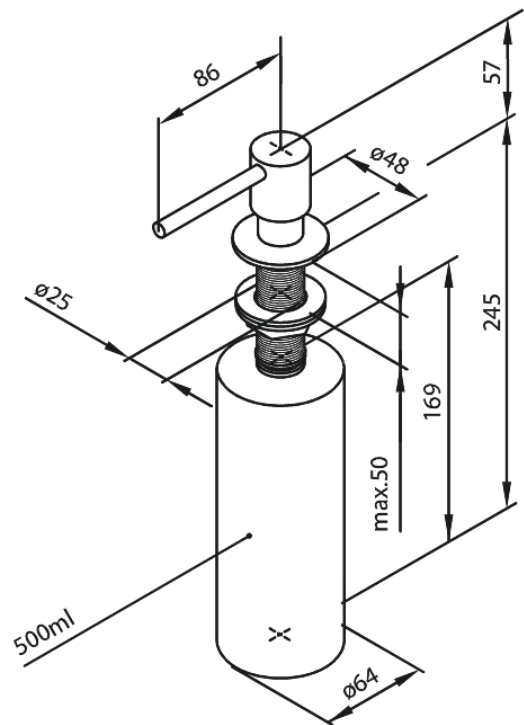
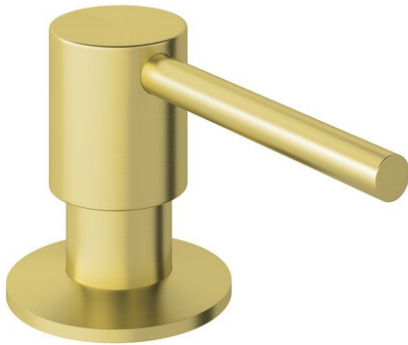


Kitchen Accessories

# Soap dispenser

**Article no.:** 484817900  
**Finish:** Brushed Brass PVD  
**Series:** Kitchen Accessories

**EAN no.:** 5708516833819



FM Mattsson Denmark ApS  
Hvidkærvej 48, 5250 Odense SV, DK-56416218

+45 88 33 00 34 [danmark@fmmattssongroup.com](mailto:danmark@fmmattssongroup.com)

Mere information på [damixa.com](http://damixa.com)

**damixa**