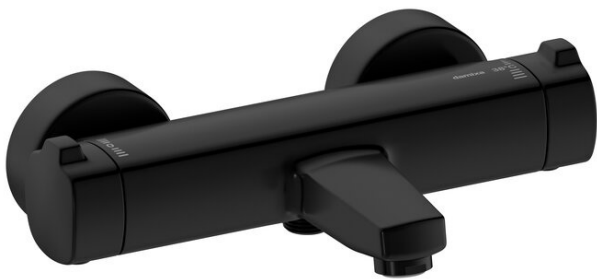


Pine

Thermixa 700 Thermostatic Bath/Shower Mixer

Article no.: 575076100
Finish: Matt black
Series: Pine

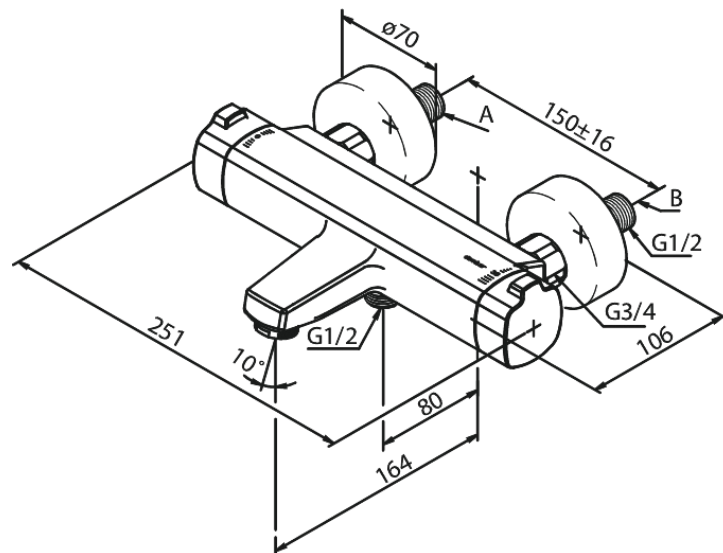
EAN no.: 5708516832904



Standard features:

Ceramic cartridge
Water consumption max.23/13 l/min
Standard 150mm centres
With 3/4" wall plates & eccentric unions
1/2" connection for hand shower hose

Product features



FM Mattsson Denmark ApS
Hvidkærvej 48, 5250 Odense SV, DK-56416218

+45 88 33 00 34 danmark@fmmattssongroup.com

Mere information på damixa.com

damixa