

Pine

Thermixa 700 Thermostatic Shower Mixer

Article no.: 574074600
Finish: Steel PVD
Series: Pine

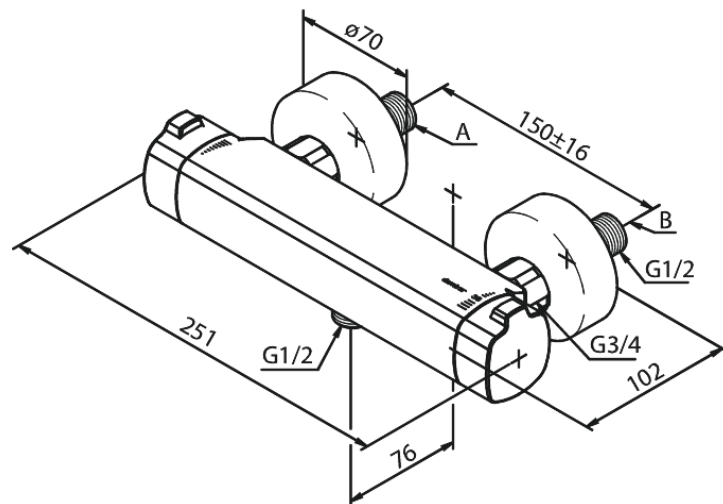
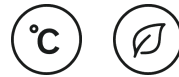
EAN no.: 5708516832867



Standard features:

Ceramic cartridge
Water consumption max. 12 l/min
Standard 150mm centres
With 3/4" wall plates & eccentric unions
1/2" connection for hand shower hose

Product features



FM Mattsson Denmark ApS
Hvidkærvej 48, 5250 Odense SV, DK-56416218

+45 88 33 00 34 danmark@fmmattssongroup.com

Mere information på damixa.com

damixa