

Pine

Basin Mixer

Article no.: 176306100
Finish: Matt black
Series: Pine

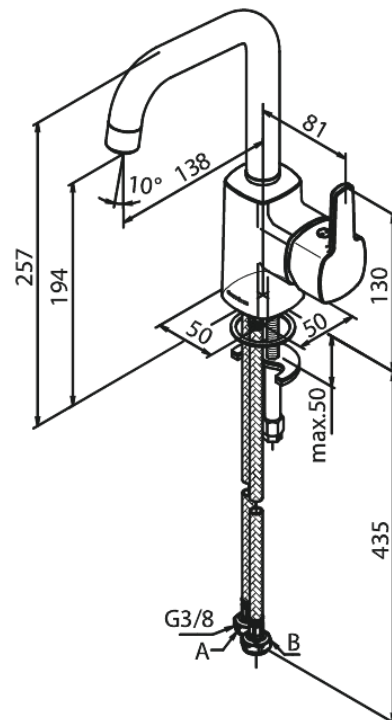
EAN no.: 5708516832850



Standard features:

1 handle
120° swivel limitation
Ceramic cartridge
6l/min aerator

Product features



FM Mattsson Denmark ApS
Hvidkærvej 48, 5250 Odense SV, DK-56416218

+45 88 33 00 34 danmark@fmmattssongroup.com

Mere information på damixa.com

damixa