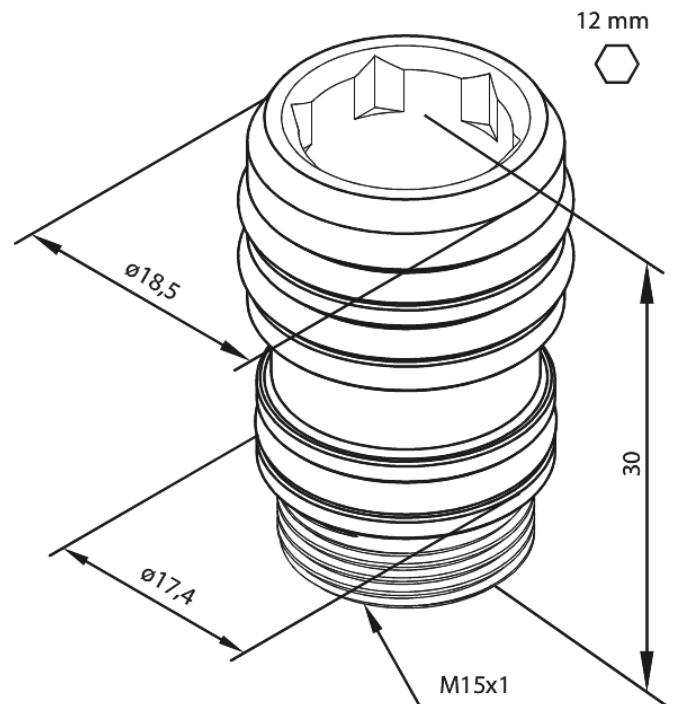


Product Accessories

Shower pipe shortener (connector)

Article no.: 484940000
Finish: NA
Series: Product Accessories

EAN no.: 5708516831396



FM Mattsson Denmark ApS
Hvidkærvej 48, 5250 Odense SV, DK-56416218

+45 88 33 00 34 danmark@fmmattssongroup.com

Mere information på damixa.com

damixa