

Solid

Flex Shower Set

Article no.: 766910000
Finish: Chrome
Series: Solid

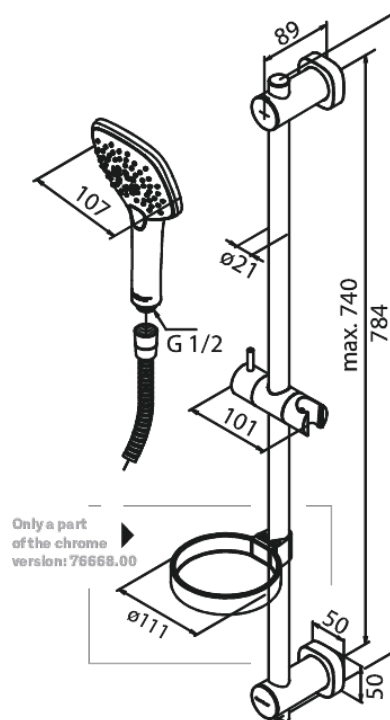
EAN no.: 5708516829768



Standard features:

Water consumption max.6 l/min
1500 mm plastic hose
Incl. Soap dish & Glider
Adjustable wall brackets

Product features



FM Mattsson Denmark ApS
Hvidkærvej 48, 5250 Odense SV, DK-56416218

+45 88 33 00 34 danmark@fmmattssongroup.com

Mere information på damixa.com

damixa