

Bathroom Accessories

Twin Towel Rail 800 mm

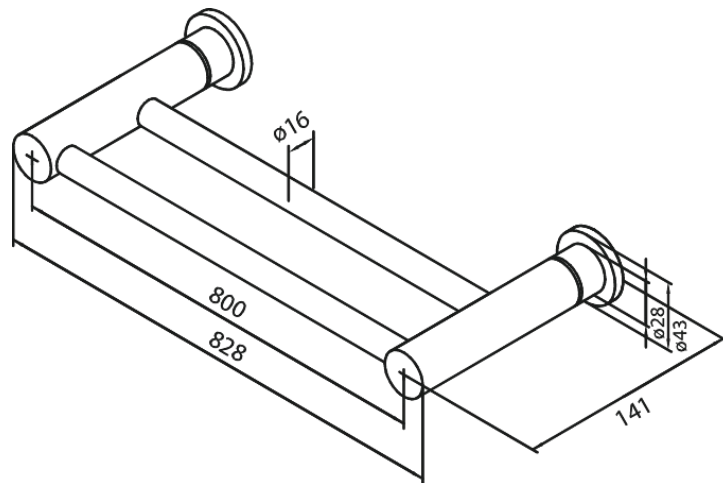
Article no.: 483157700
Finish: Polished Brass PVD
Series: Bathroom Accessories

EAN no.: 5708516831815



Standard features:

Can be shortened



FM Mattsson Denmark ApS
Hvidkærvej 48, 5250 Odense SV, DK-56416218

+45 88 33 00 34 danmark@fmmattssongroup.com

Mere information på damixa.com

damixa