

Bathroom Accessories

# Twin Towel Rail 800 mm

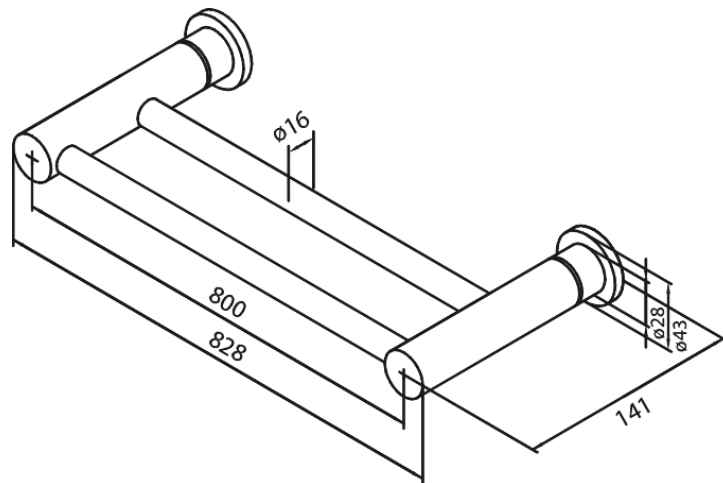
**Article no.:** 483156100  
**Finish:** Matt black  
**Series:** Bathroom Accessories

**EAN no.:** 5708516831808



## Standard features:

Can be shortened



FM Mattsson Denmark ApS  
Hvidkærvej 48, 5250 Odense SV, DK-56416218

+45 88 33 00 34 [danmark@fmmattssongroup.com](mailto:danmark@fmmattssongroup.com)

Mere information på [damixa.com](http://damixa.com)

**damixa**