

# Silhouet Flex

**Article no.:** 766886100  
**Finish:** Matt black  
**Series:** Silhouet

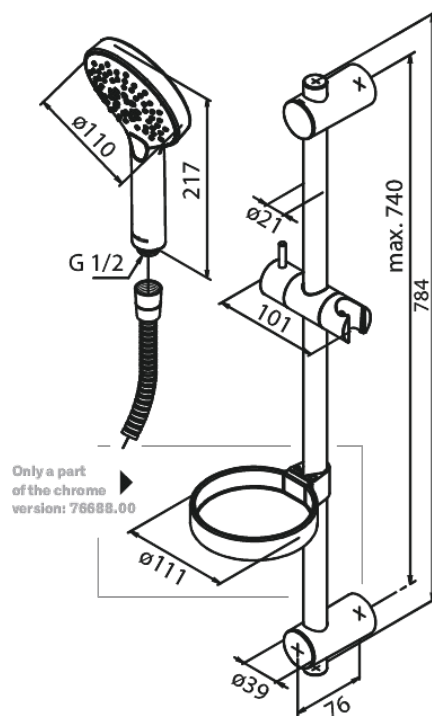
**EAN no.:** 5708516828105



## Standard features:

Water consumption max.9 l/min  
3 spray modes  
Adjustable wall brackets  
1500 mm shower hose

## Product features



FM Mattsson Denmark ApS  
Hvidkærvej 48, 5250 Odense SV, DK-56416218

+45 88 33 00 34 damixa-international@fmmattsongroup.com

Mere information på damixa.com

**damixa**