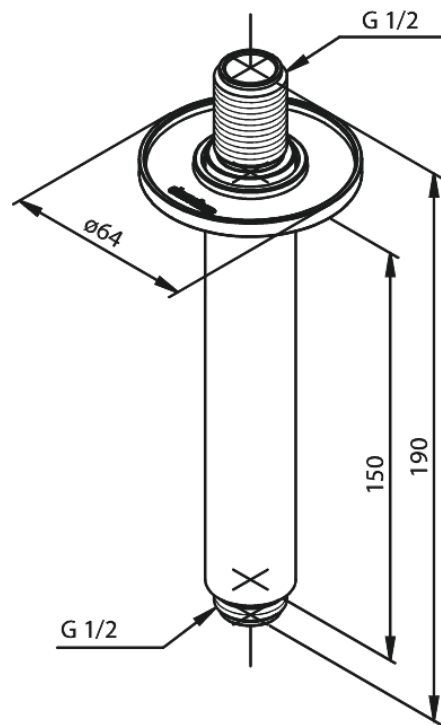


Concealed

# Shower Arm - Ceiling Mounted

**Article no.:** 766186100  
**Finish:** Matt black  
**Series:** Concealed

**EAN no.:** 5708516828624



FM Mattsson Denmark ApS  
Hvidkærvej 48, 5250 Odense SV, DK-56416218

+45 88 33 00 34 [danmark@fmmattssongroup.com](mailto:danmark@fmmattssongroup.com)

Mere information på [damixa.com](http://damixa.com)

**damixa**