

Slate

# 4 Hand Shower Set

**Article no.:** 766907400  
**Finish:** Chrome/Black  
**Series:** Slate

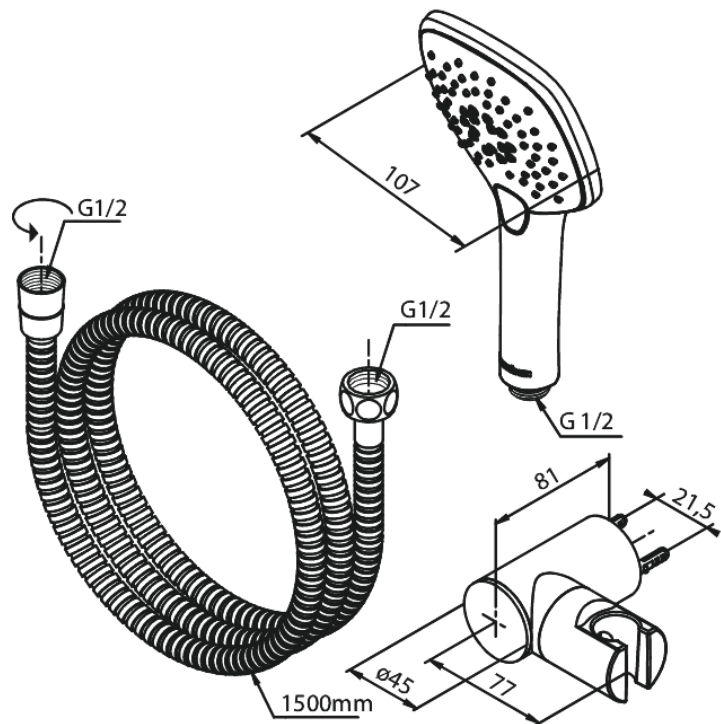
**EAN no.:** 5708516825562



## Standard features:

Water consumption max.9 l/min  
1500 mm plastic hose

## Product features



FM Mattsson Denmark ApS  
Hvidkærvej 48, 5250 Odense SV, DK-56416218

+45 88 33 00 34 danmark@fmmattssongroup.com

Mere information på [damixa.com](http://damixa.com)

**damixa**