

Slate

Basin Mixer

Article no.: 656207400
Finish: Chrome/Black
Series: Slate

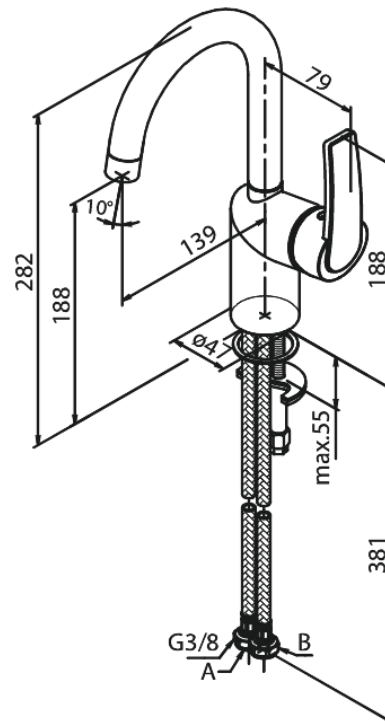
EAN no.: 5708516829560



Standard features:

120° swivel limitation
Ceramic cartridge
Water consumption max.6 l/min

Product features



FM Mattsson Denmark ApS
Hvidkærvej 48, 5250 Odense SV, DK-56416218

+45 88 33 00 34 damixa-international@fmmattsongroup.com

Mere information på damixa.com

damixa