

Slate

Basin Mixer

Article no.: 656200000
Finish: Chrome
Series: Slate

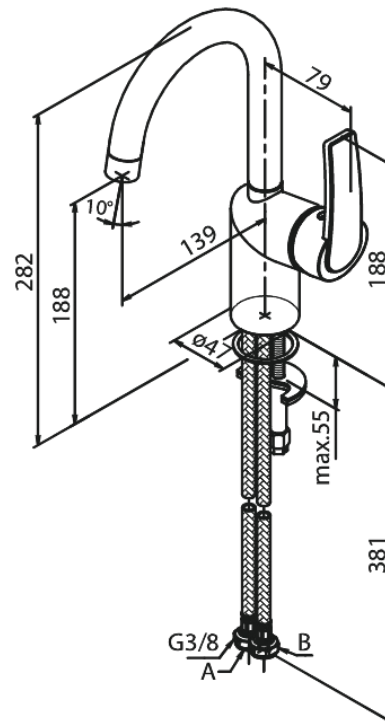
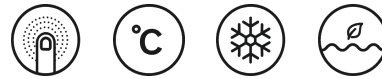
EAN no.: 5708516829553



Standard features:

120° swivel limitation
Ceramic cartridge
Water consumption max.6 l/min

Product features



FM Mattsson Denmark ApS
Hvidkærvej 48, 5250 Odense SV, DK-56416218

+45 88 33 00 34 danmark@fmmattssongroup.com

Mere information på damixa.com

damixa