

Concealed

Shower Mixer Box

Article no.: 470360000
Finish:
Series: Concealed

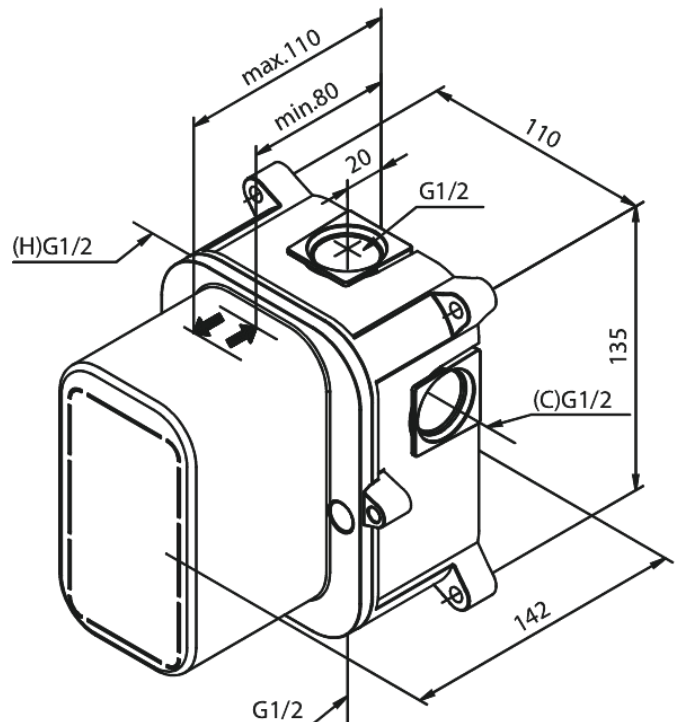
EAN no.: 5708516823391



Standard features:

Check valves
Build-in depth (min. 73mm - max. 104mm)
Ceramic Parts

Product features



FM Mattsson Denmark ApS
Hvidkærvej 48, 5250 Odense SV, DK-56416218

+45 88 33 00 34 danmark@fmmattssongroup.com

Mere information på damixa.com

damixa