

Elara

# Bath Shower Mixer

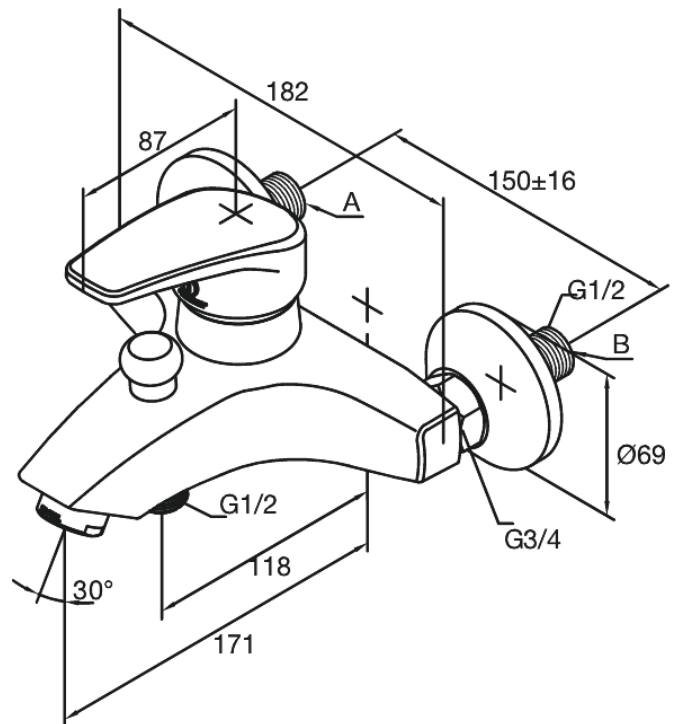
**Article no.:** 521000000  
**Finish:** Chrome  
**Series:** Elara

**EAN no.:** 5708516714187



## Standard features:

Ceramic cartridge  
Standard 150mm centres  
With 3/4" wall plates & eccentric unions  
With diverter  
1/2" connection for hand shower hose



FM Mattsson Denmark ApS  
Hvidkærvej 48, 5250 Odense SV, DK-56416218

+45 88 33 00 34 [danmark@fmmattssongroup.com](mailto:danmark@fmmattssongroup.com)

Mere information på [damixa.com](http://damixa.com)

**damixa**