

Object

# Basin Mixer

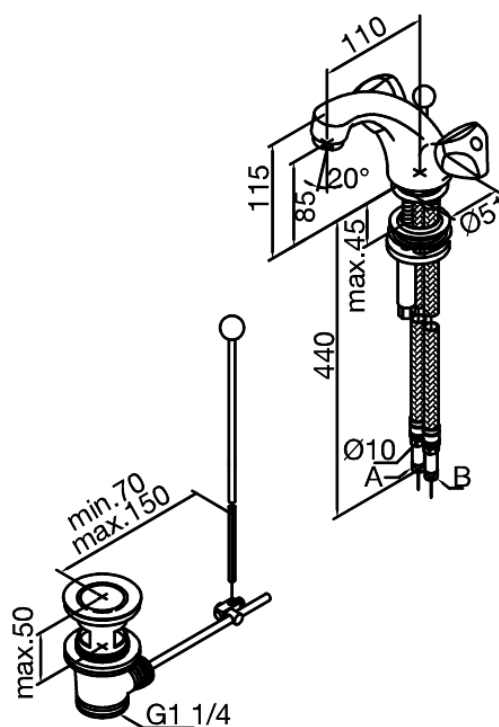
**Article no.:** 300110000  
**Finish:** Chrome  
**Series:** Object

**EAN no.:** 5708516153405



## Standard features:

2 handle  
Pop up waste  
Compression valves



FM Mattsson Denmark ApS  
Hvidkærvej 48, 5250 Odense SV, DK-56416218

+45 88 33 00 34 [damixa-international@fmmattsongroup.com](mailto:damixa-international@fmmattsongroup.com)

Mere information på [damixa.com](http://damixa.com)

**damixa**