

Bell

# Basin Mixer

**Article no.:** 908170000  
**Finish:** Chrome  
**Series:** Bell

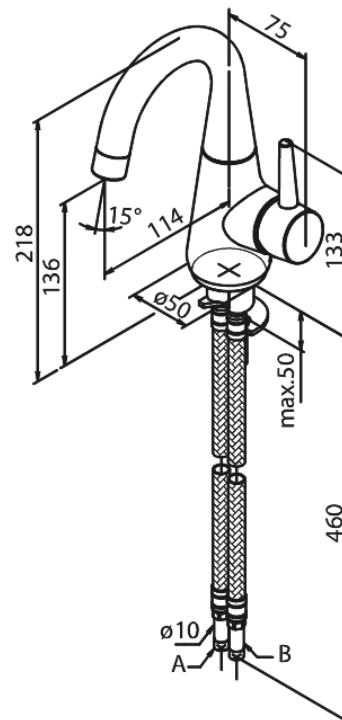
**EAN no.:** 5708516821694



## Standard features:

- 1 handle
- 120° swivel limitation
- Ceramic cartridge
- Cold-start
- Rub-Clean
- Scalding protection
- Water consumption max.6 l/min
- Eco-Save water saving feature

## Product features



FM Mattsson Denmark ApS  
Hvidkærvej 48, 5250 Odense SV, DK-56416218

+45 88 33 00 34 [danmark@fmmattssongroup.com](mailto:danmark@fmmattssongroup.com)

Mere information på [damixa.com](http://damixa.com)

**damixa**