

Slate

Hand shower

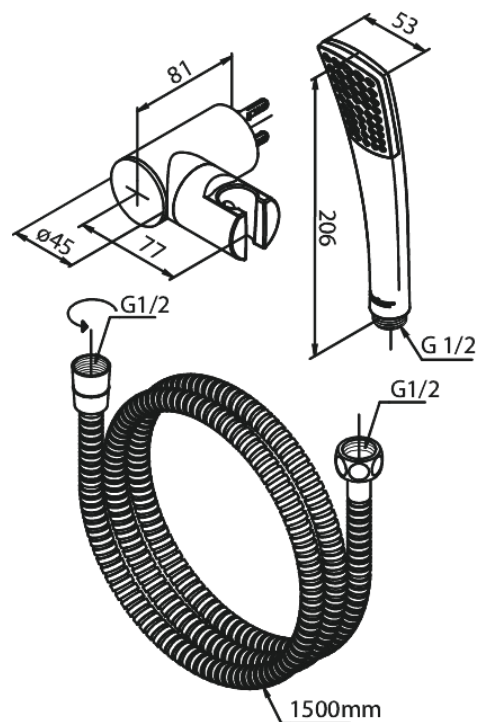
Article no.: 766797400
Finish: Chrome/Black
Series: Slate

EAN no.: 5708516809722

Standard features:

Water consumption max.9 l/min

Product features



FM Mattsson Denmark ApS
Hvidkærvej 48, 5250 Odense SV, DK-56416218

+45 88 33 00 34 damixa-international@fmmattsongroup.com

Mere information på damixa.com

damixa