

Space

Fair Jet

Article no.: 765130000
Finish: Chrome
Series: Space

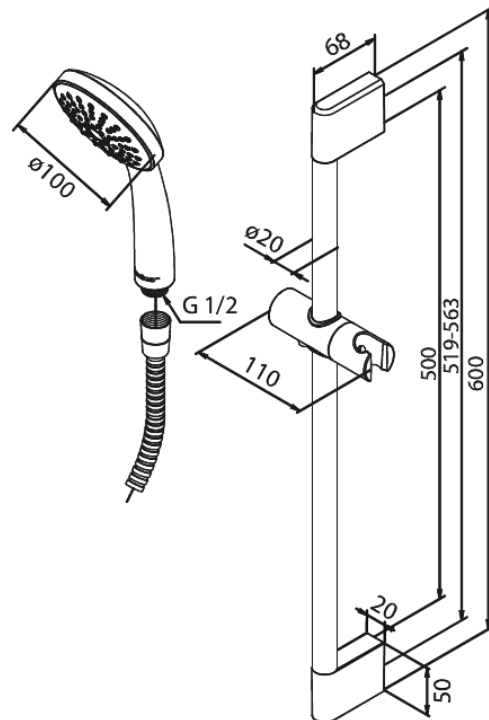
EAN no.: 5708516737636



Standard features:

Rub-Clean
Water consumption max.9 l/min
1500 mm plastic hose

Product features



FM Mattsson Denmark ApS
Hvidkærvej 48, 5250 Odense SV, DK-56416218

+45 88 33 00 34 danmark@fmmattssongroup.com

Mere information på damixa.com

damixa