

Slate

Basin Mixer

Article no.: 650217400
Finish: Chrome/Black
Series: Slate

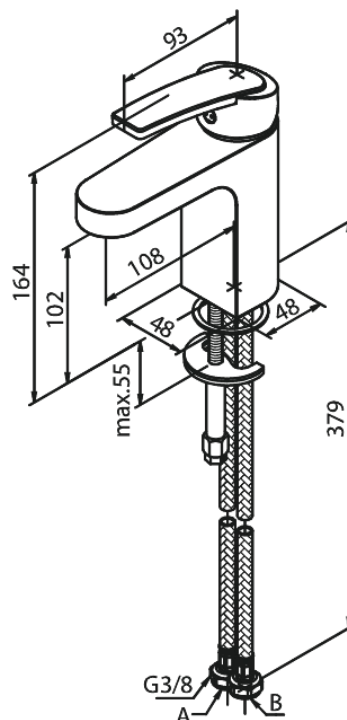
EAN no.: 5708516829546



Standard features:

- 1 handle
- Ceramic cartridge
- Rub-Clean
- Scalding protection (38°C)
- Water consumption max.6 l/min
- Eco-Save water saving feature

Product features



FM Mattsson Denmark ApS
Hvidkærvej 48, 5250 Odense SV, DK-56416218

+45 88 33 00 34 damixa-international@fmmattsongroup.com

Mere information på damixa.com

damixa