

Slate

Basin Mixer with pop up waste

Article no.: 658477400
Finish: Chrome/Black
Series: Slate

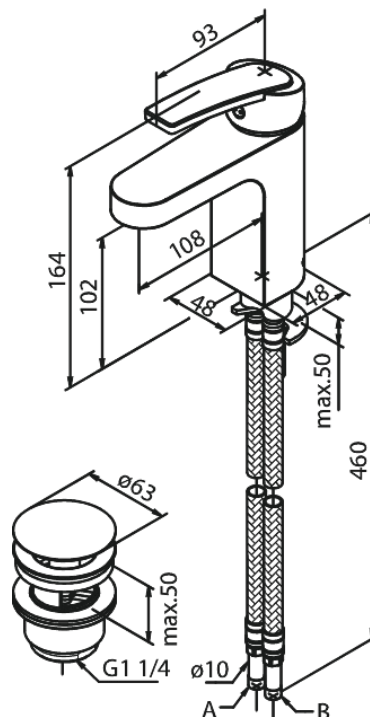
EAN no.: 5708516735137



Standard features:

- 1 handle
- Ceramic cartridge
- Rub-clean aerator
- Scalding protection
- Water consumption max. 13 l
- Eco-Save water saving feature
- Pop up waste with click function

Product features



FM Mattsson Denmark ApS
Hvidkærvej 48, 5250 Odense SV, DK-56416218

+45 88 33 00 34 danmark@fmmattssongroup.com

Mere information på damixa.com

damixa