

Slate

# Bath Shower Mixer

**Article no.:** 651007400  
**Finish:** Chrome/Black  
**Series:** Slate

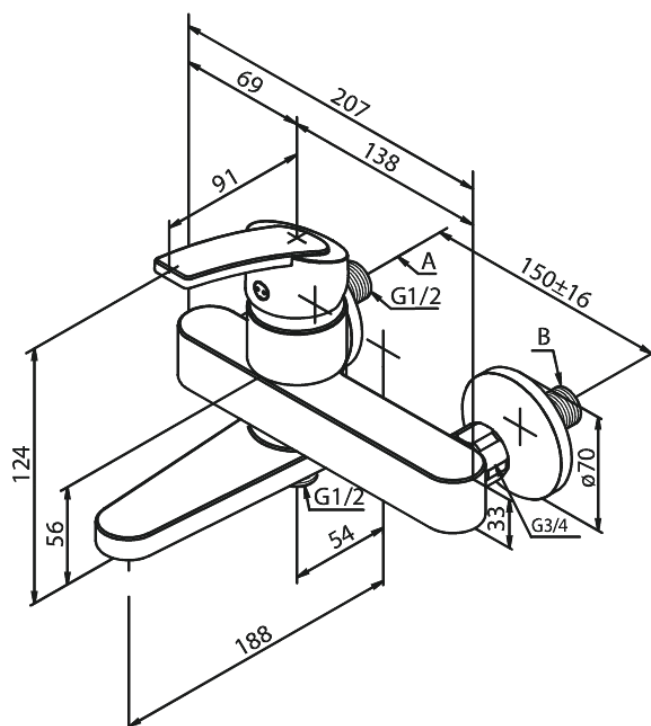
**EAN no.:** 5708516736431



## Standard features:

- Ceramic cartridge
- Rub-clean aerator
- Scalding protection
- Water consumption max.23/13 l/min
- Eco-Save water saving feature
- Standard 150mm centres
- With 3/4" wall plates & eccentric unions
- Diverts automatically when spout is folded away
- 1/2" connection for hand shower hose

## Product features



FM Mattsson Denmark ApS  
Hvidkærvej 48, 5250 Odense SV, DK-56416218

+45 88 33 00 34 [danmark@fmmattssongroup.com](mailto:danmark@fmmattssongroup.com)

Mere information på [damixa.com](http://damixa.com)

**damixa**