

Slate

Bath Shower Mixer

Article no.: 651000000
Finish: Chrome
Series: Slate

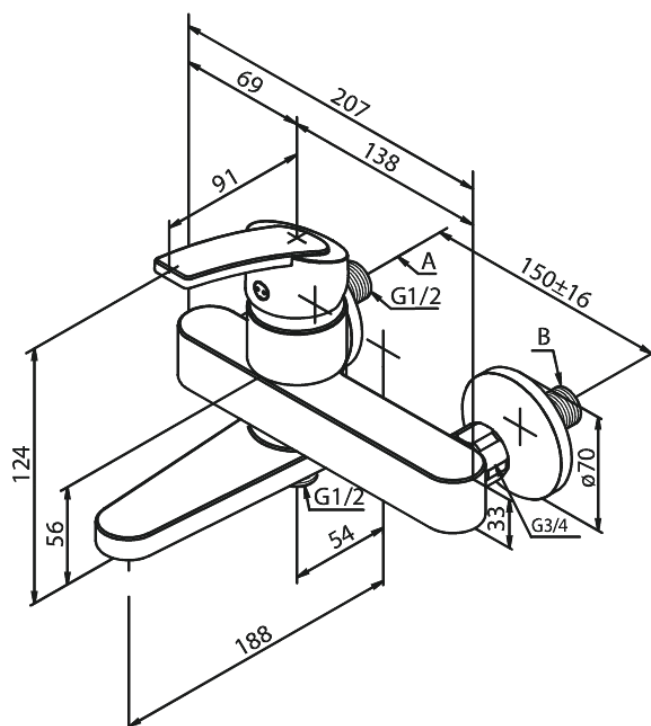
EAN no.: 5708516822028



Standard features:

- Ceramic cartridge
- Rub-clean aerator
- Scalding protection
- Water consumption max.23/13 l/min
- Eco-Save water saving feature
- Standard 150mm centres
- With 3/4" wall plates & eccentric unions
- Diverts automatically when spout is folded away
- 1/2" connection for hand shower hose

Product features



FM Mattsson Denmark ApS
Hvidkærvej 48, 5250 Odense SV, DK-56416218

+45 88 33 00 34 danmark@fmmattssongroup.com

Mere information på damixa.com

damixa