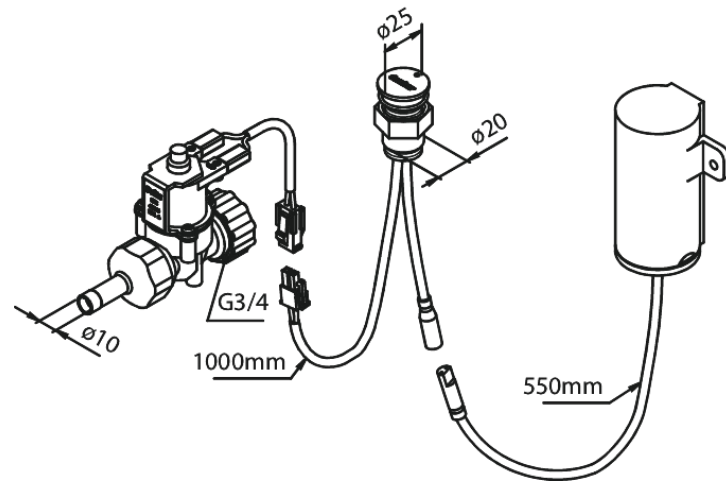


Kitchen Accessories

# Electronic Shut Off Valve

**Article no.:** 484086671  
**Finish:** Steel (66 - old)  
**Series:** Kitchen Accessories

**EAN no.:** 5708516735519



FM Mattsson Denmark ApS  
Hvidkærvej 48, 5250 Odense SV, DK-56416218

+45 88 33 00 34 [damixa-international@fmmattsongroup.com](mailto:damixa-international@fmmattsongroup.com)

Mere information på [damixa.com](http://damixa.com)

**damixa**