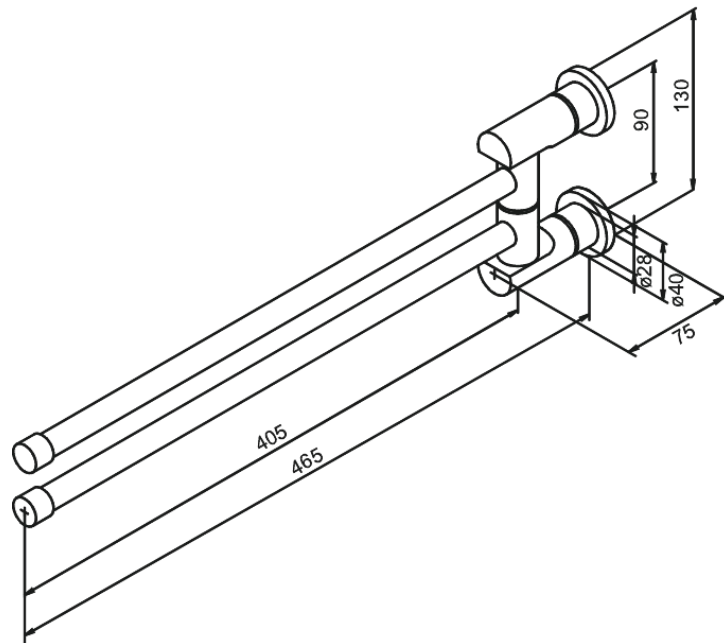
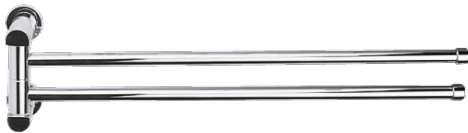


Bathroom Accessories

Twin Swivel Towel Rail

Article no.: 483220000
Finish: Chrome
Series: Bathroom Accessories

EAN no.: 5708516143260



FM Mattsson Denmark ApS
Hvidkærvej 48, 5250 Odense SV, DK-56416218

+45 88 33 00 34 damixa-international@fmmattsongroup.com

Mere information på damixa.com

damixa