

Bathroom Accessories

Twin Towel Rail 800 mm

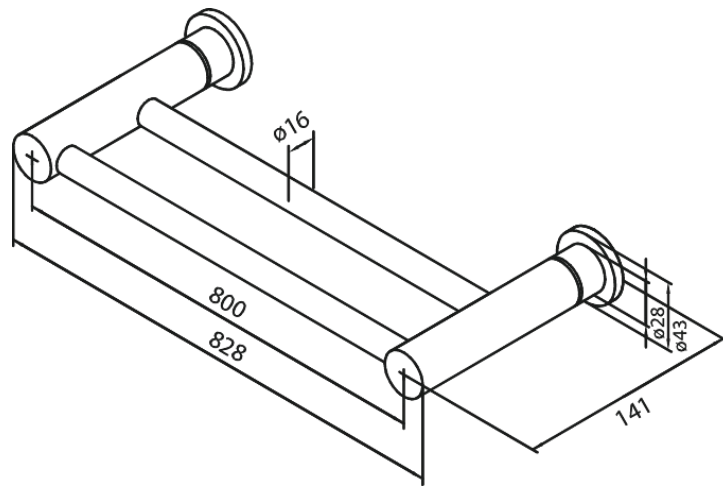
Article no.: 483150000
Finish: Chrome
Series: Bathroom Accessories

EAN no.: 5708516138389



Standard features:

Can be shortened



FM Mattsson Denmark ApS
Hvidkærvej 48, 5250 Odense SV, DK-56416218

+45 88 33 00 34 damixa-international@fmmattsongroup.com

Mere information på damixa.com

damixa