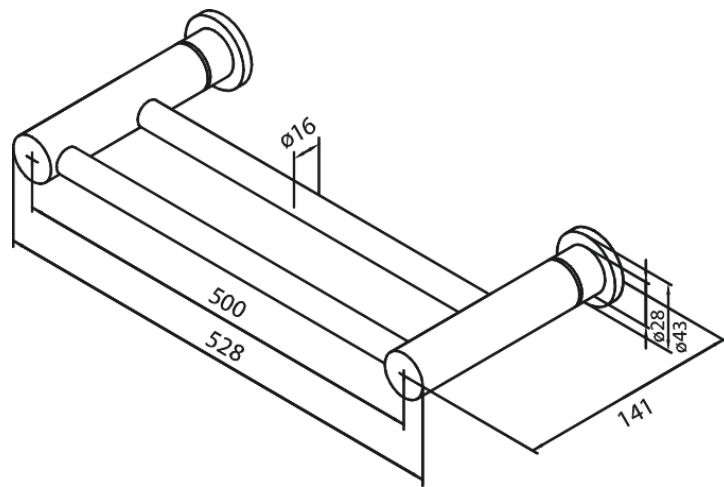


Bathroom Accessories

# Twin Towel Rail 500 mm

**Article no.:** 483130000  
**Finish:** Chrome  
**Series:** Bathroom Accessories

**EAN no.:** 5708516019541



FM Mattsson Denmark ApS  
Hvidkærvej 48, 5250 Odense SV, DK-56416218

+45 88 33 00 34 [damixa-international@fmmattssongroup.com](mailto:damixa-international@fmmattssongroup.com)

Mere information på [damixa.com](http://damixa.com)

**damixa**