

Product Accessories

# X-Change Connector Kit for bathroom mixers

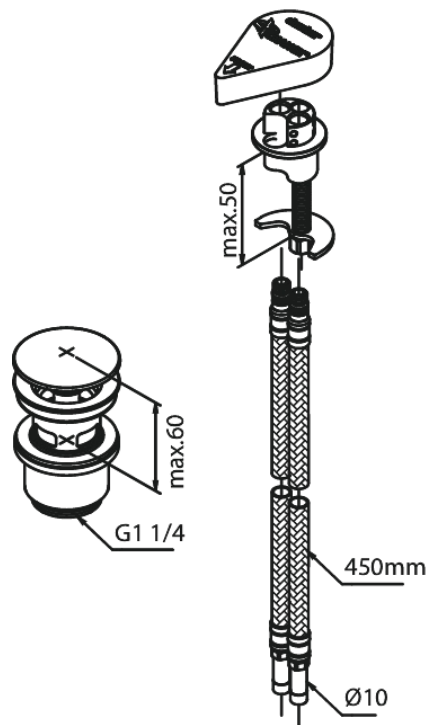
**Article no.:** 482210000  
**Finish:** Chrome  
**Series:** Product Accessories

**EAN no.:** 5708516611912



## Standard features:

Pop up waste with click function



FM Mattsson Denmark ApS  
Hvidkærvej 48, 5250 Odense SV, DK-56416218

+45 88 33 00 34 [damixa-international@fmmattsongroup.com](mailto:damixa-international@fmmattsongroup.com)

Mere information på [damixa.com](http://damixa.com)

**damixa**